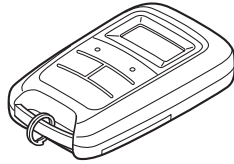


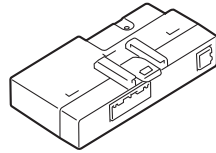
## PARTS LIST

### Remote Engine Starter Unit Kit P/N 08E91-E54-100

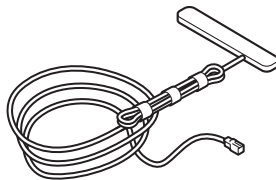
Transmitter



Control unit



Antenna

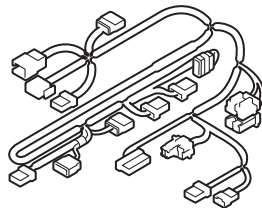


ID label

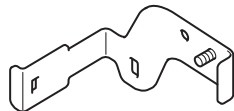


### Remote Control Engine Starter Attachment Kit P/N 08E92-TR0-100C

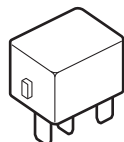
Engine starter harness



Control unit bracket



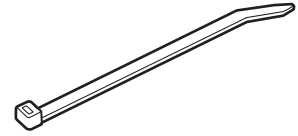
3 Relays



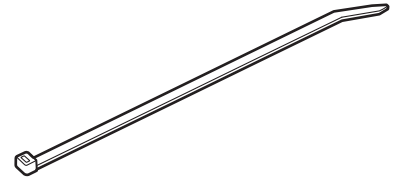
Flange nut



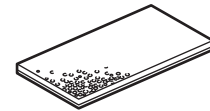
21 Wire ties



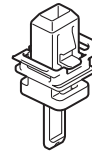
2 Long wire ties



9 Urethane tapes



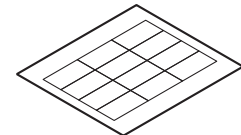
Clip



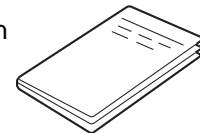
Caution label



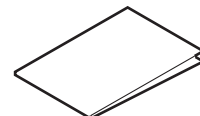
Fuse label



Accessory User's Information



Quick start guide



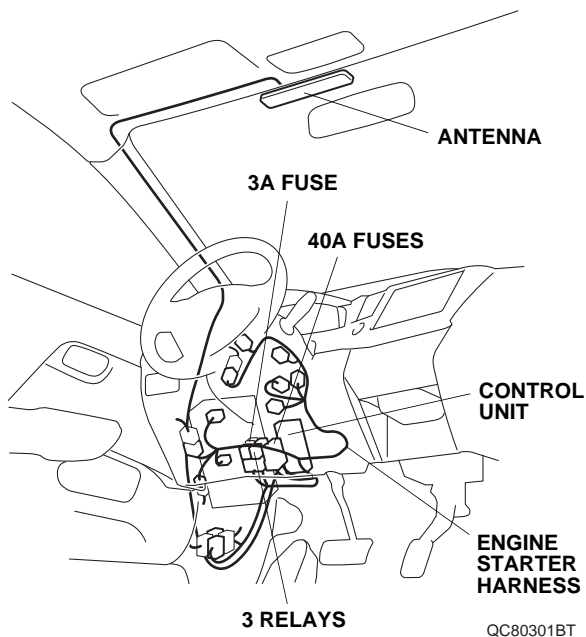
## TOOLS AND SUPPLIES REQUIRED

Flat-tip screwdriver  
Phillips screwdriver  
Ratchet  
10 mm Socket  
10 mm Open end wrench  
Isopropyl alcohol  
Shop towel  
Tape measure  
Scissors  
HDS/MVCI  
Masking tape  
Diagonal cutters  
Ruler  
Tape

*The following tools are available through the Honda Tool and Equipment Program. On the iN, click on: Service > Service Bay > Tool and Equipment Program, then enter the number under "Search". Or, call 888-424-6857.*

- Trim Tool Set (T/N SOJATP2014)
- Plastic Trim Tool (T/N SILTRIMTL10)

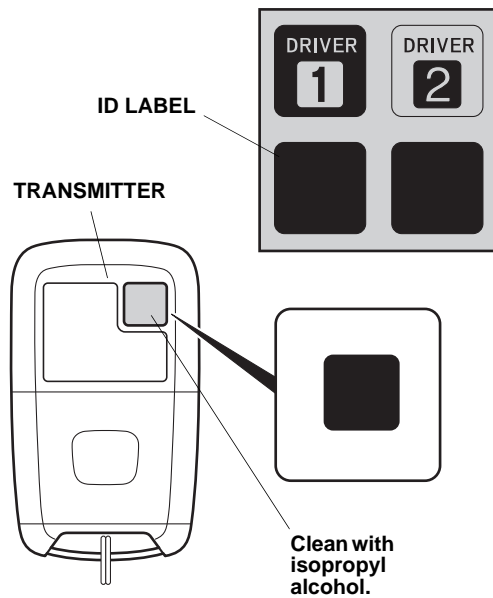
### **Illustration of the Remote Control Engine Starter in the Vehicle**



## INSTALLATION

**Customer Information:** The information in this installation instruction is intended for use only by skilled technicians who have the proper tools, equipment, and training to correctly and safely add equipment to your vehicle. These procedures should not be attempted by "do-it-yourselfers."

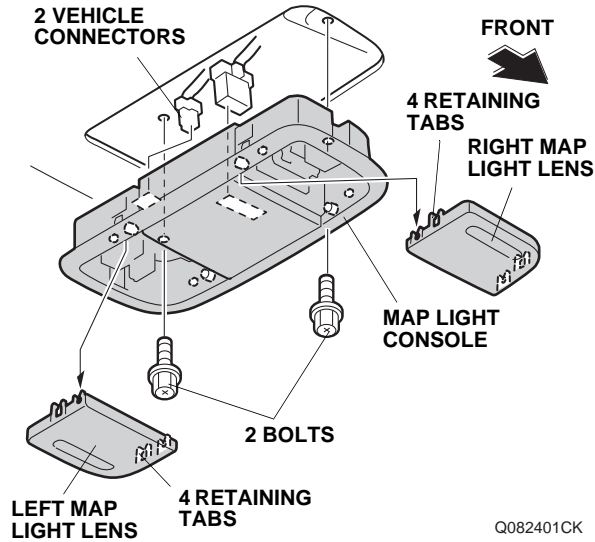
1. Disconnect the negative cable from the battery.
2. Using isopropyl alcohol on a shop towel, clean the area where the ID label will attach.



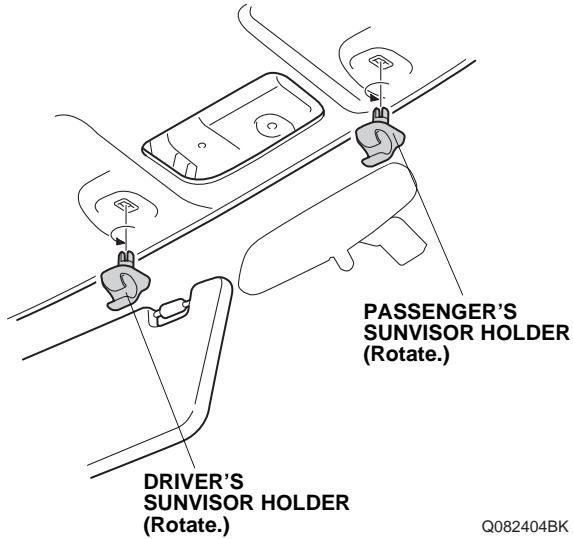
QB32111CH

3. Attach the blank ID label to the transmitter in the area as shown.

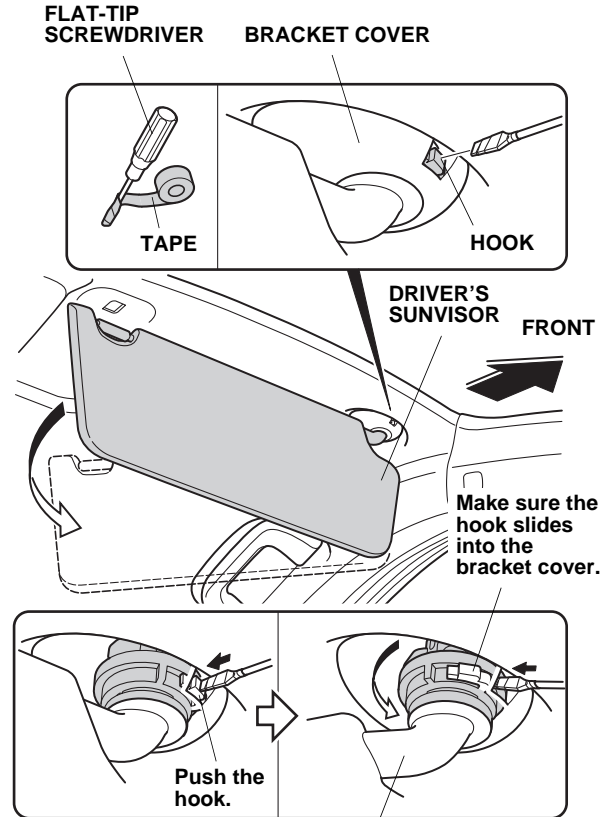
- Remove the left and right lenses from the map light console (four retaining tabs for each lens). Remove two bolts.



- Remove the map light console (unplug two vehicle connectors).
- Remove the driver's and passenger's sunvisor holders.



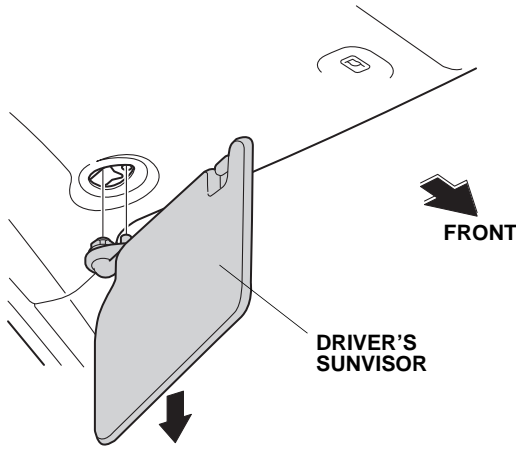
- Wrap the end of a flat-tip screwdriver with tape. Locate the slot in the bracket cover, and insert a flat-tip screwdriver into the slot. Push the hook with the flat-tip screwdriver.



While pushing in on the hook, rotate the sunvisor backward about 45°. Q090602BK

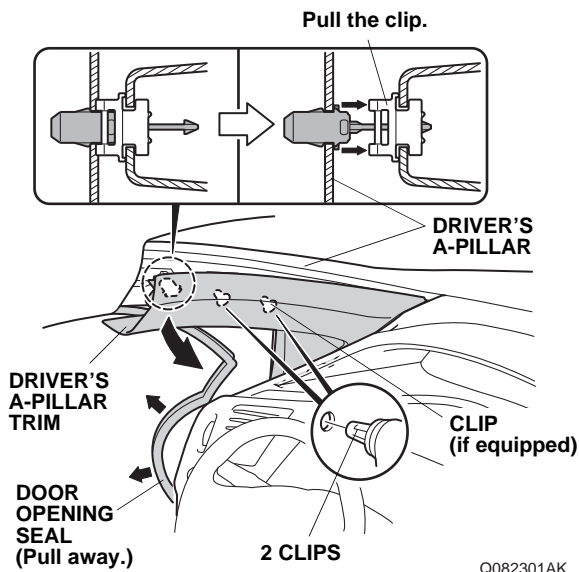
- While pushing in on the hook, rotate the driver's sunvisor backward about 45°. Make sure the hook slides into the bracket cover.  
NOTE: If the hook did not stay pushed in, return the driver's sunvisor to its original position and repeat steps 7 and 8.

- Remove the driver's sunvisor.



Q090603AK

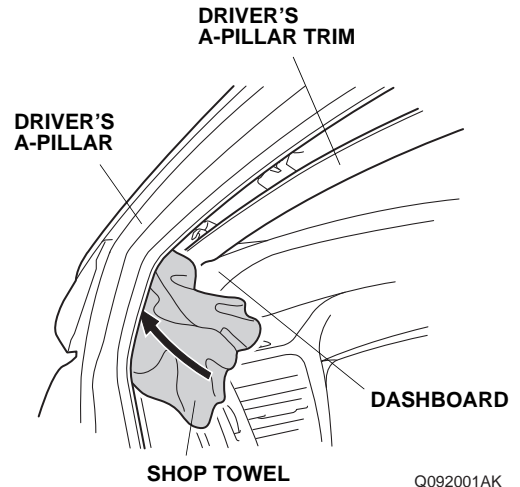
- Pull away the driver's door opening seal.



Q082301AK

- Pull out the driver's A-pillar trim to release the clips.

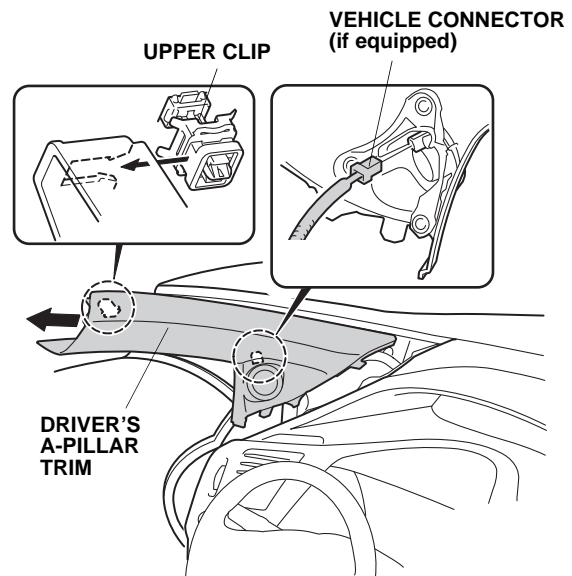
- Put a shop towel in the opening between the driver's A-pillar trim and the driver's A-pillar to prevent dropping the A-pillar clips. Take care not to damage the driver's A-pillar trim.



Q092001AK

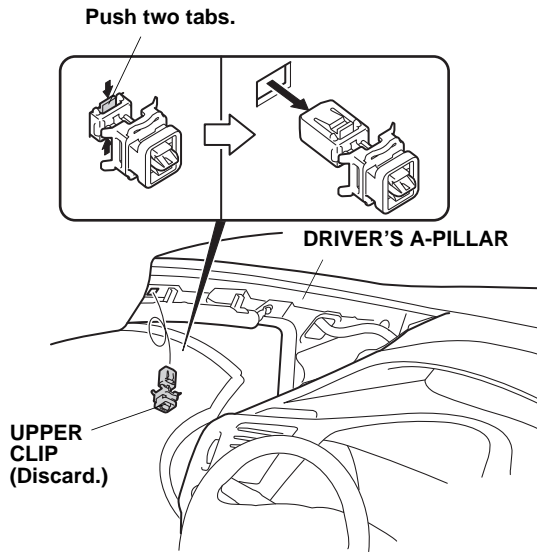
- Remove the driver's A-pillar trim from the upper clip (unplug the vehicle connector, if equipped). Carefully remove the shop towel and any clips that fell from the driver's A-pillar trim.

NOTE: The upper clip will stay in the body.



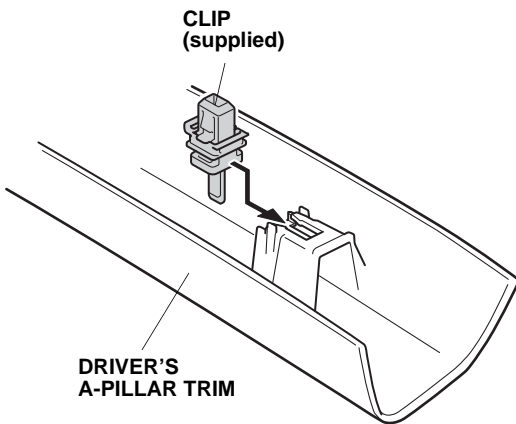
Q082308AK

14. Remove the remaining upper clip from the driver's A-pillar.



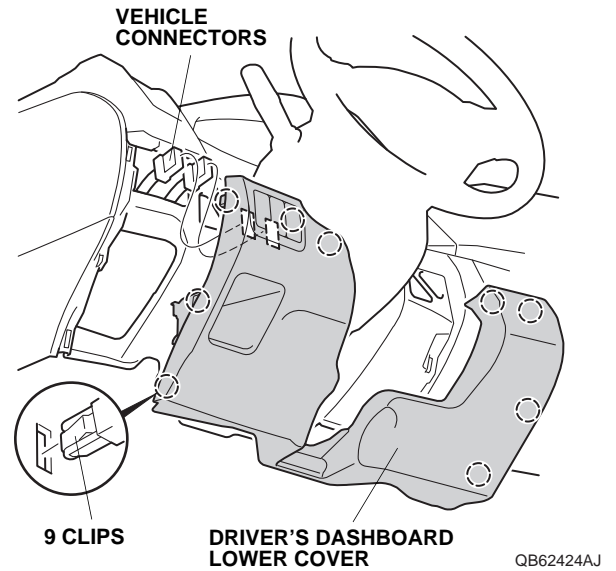
Q082303AK

15. Install the new clip (supplied) to the driver's A-pillar trim.  
NOTE: When reinstalling the A-pillar trim, refer to the Service Manual for the correct overlap procedure.

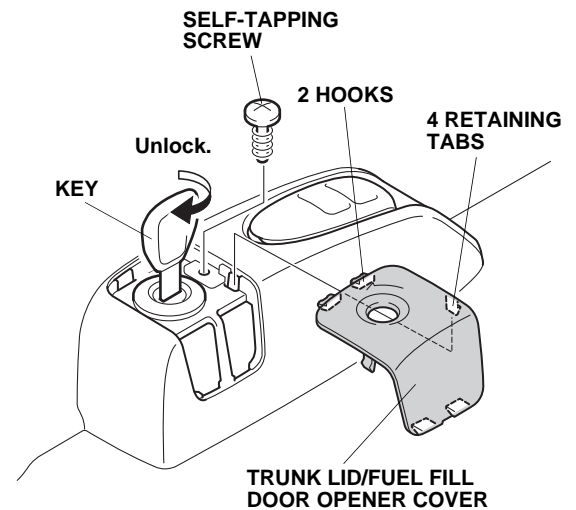


Q0N0533AH

16. Remove the driver's dashboard lower cover (nine clips and unplug vehicle connectors).

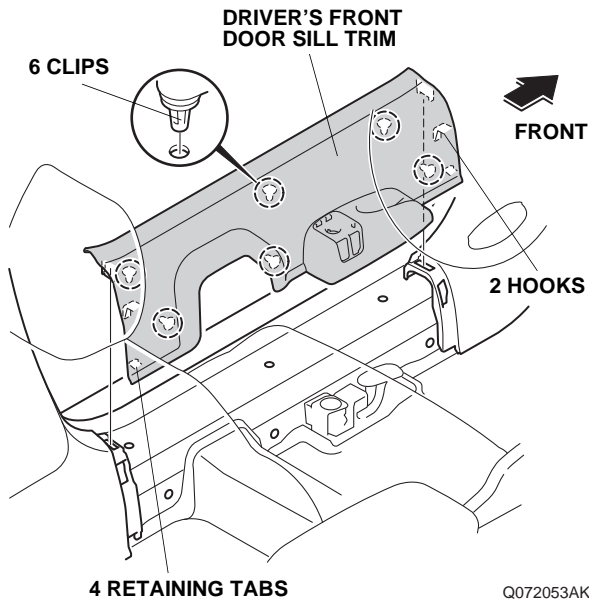


17. Remove the trunk lid/fuel fill door opener cover (four retaining tabs and two hooks). Remove one self-tapping screw. Using the key, unlock the trunk opener.



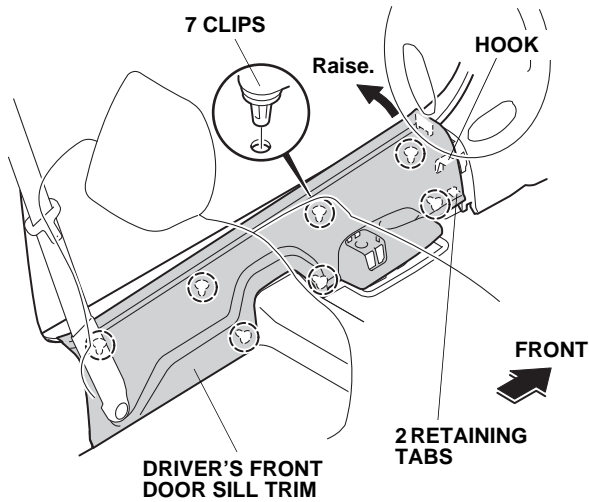
Q072052AK

18. Remove or release the driver's front door sill trim.  
4-Door: six clips, two hooks, and four retaining tabs.



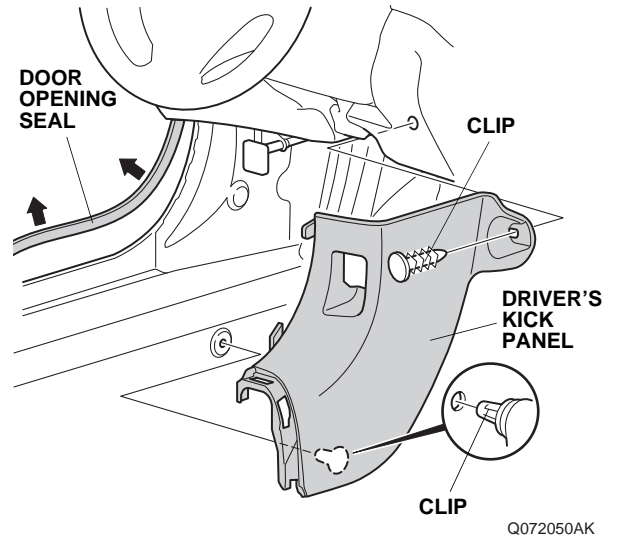
Q072053AK

2-Door: seven clips, one hook, and two retaining tabs.



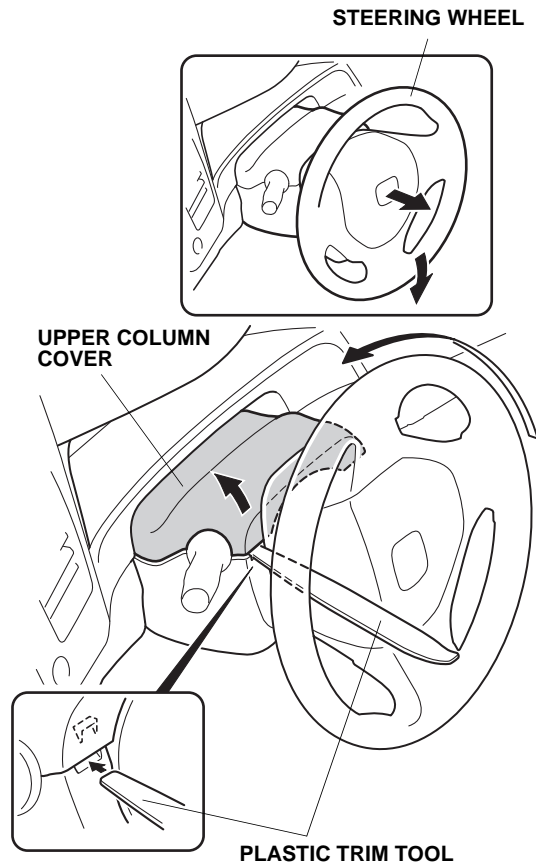
Q090701AK

19. Pull away the door opening seal, and remove the driver's kick panel (two clips).



Q072050AK

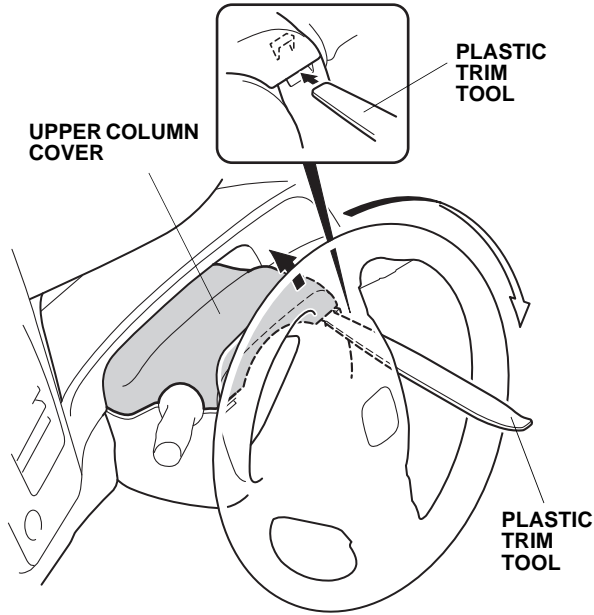
20. Lower the tilt lever, and turn the steering wheel 90° counterclockwise.



Q082304BK

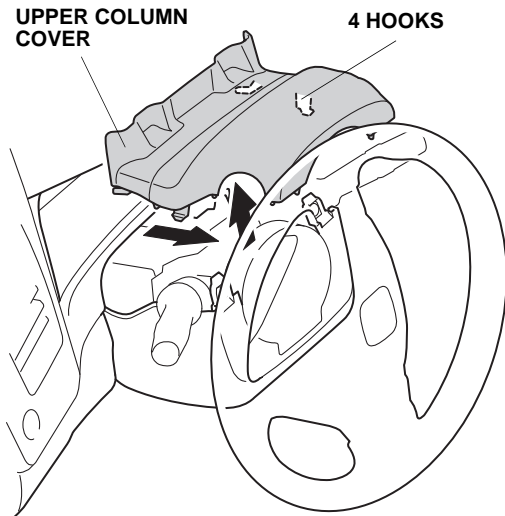
21. Using a plastic trim tool, release the lock tab as shown.

22. Turn the steering wheel 180° clockwise.



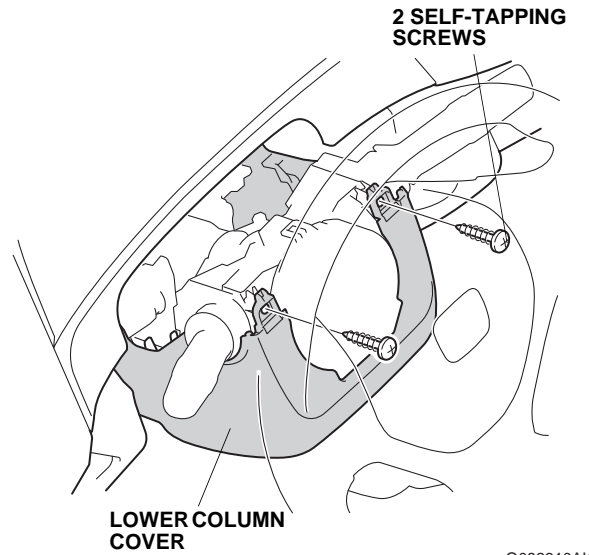
Q0D1402AH

23. Using a plastic trim tool, release the lock tab on the other side the same way.
24. Remove the upper column cover (four hooks).



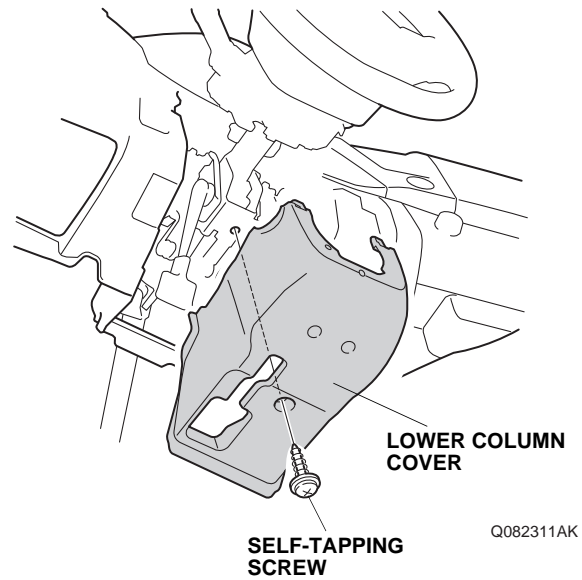
Q082307AK

25. Remove two self-tapping screws from the lower column cover.



Q082310AK

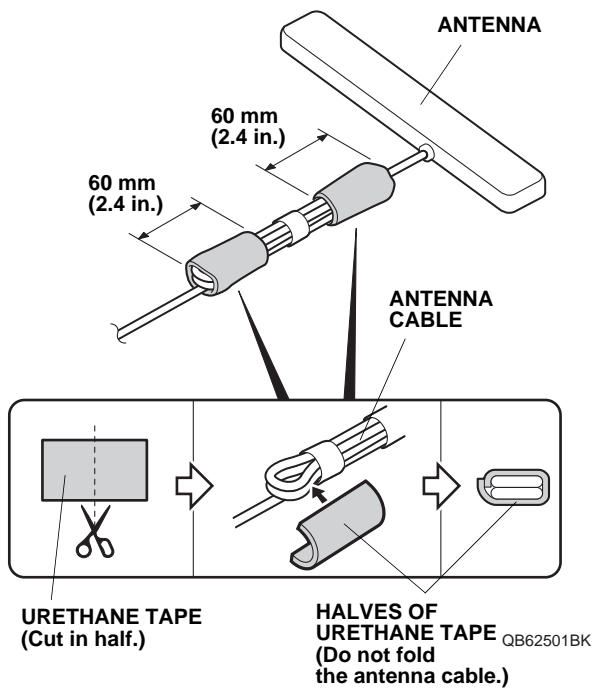
26. Remove the lower column cover (one self-tapping screw).



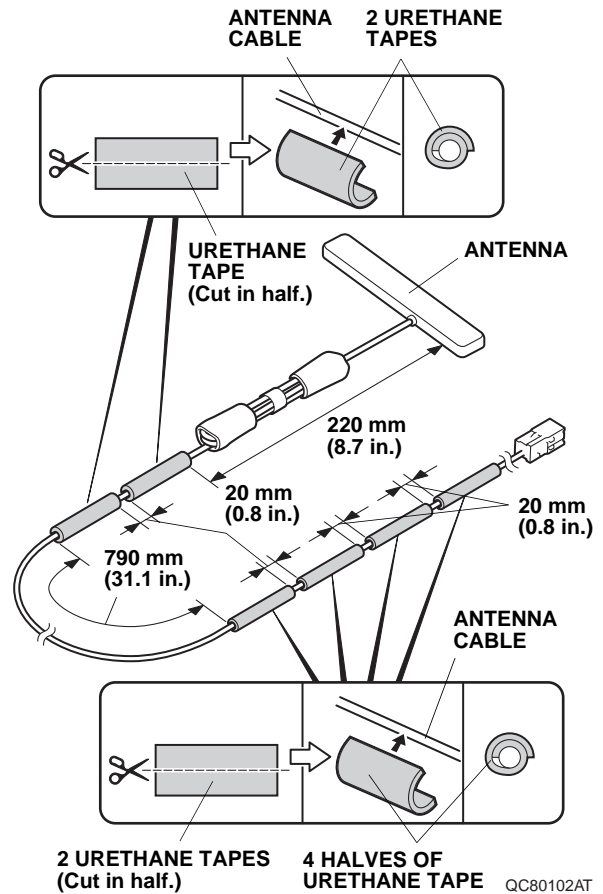
Q082311AK

## Installing the Antenna

27. Using scissors, cut one urethane tape in half. Wrap two halves of urethane tape to the antenna cable as shown.



28. Using scissors, cut one urethane tape in half. Starting near the antenna end of the cable, wrap two halves of urethane tapes around the antenna cable at the measurements shown.

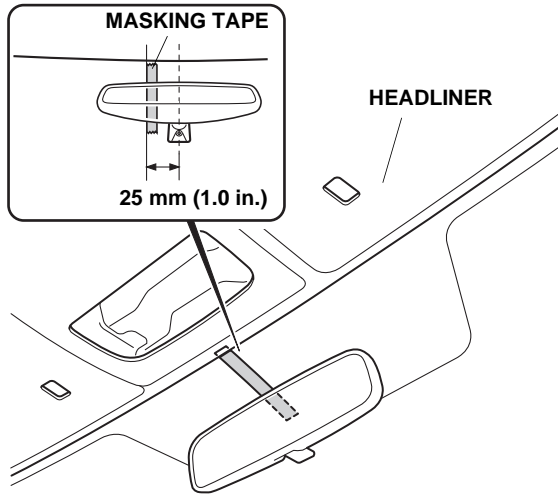


29. Using scissors, cut two urethane tapes in half. Wrap four halves of urethane tape around the antenna cable at the measurements shown.



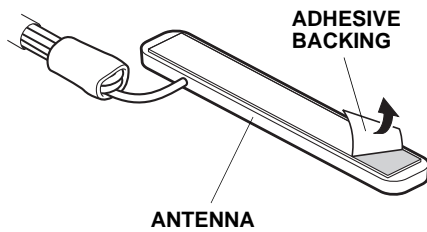
30. Attach the antenna.

- Attach masking tape to the windshield at the measurement shown.



QB62018AK

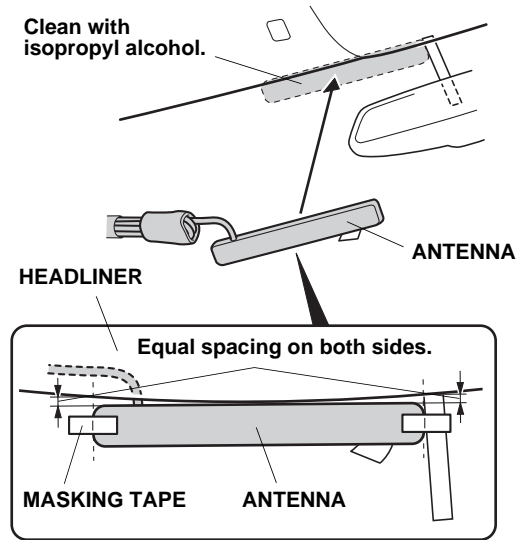
- Fold the adhesive backing of the antenna as shown.



QB51401CH

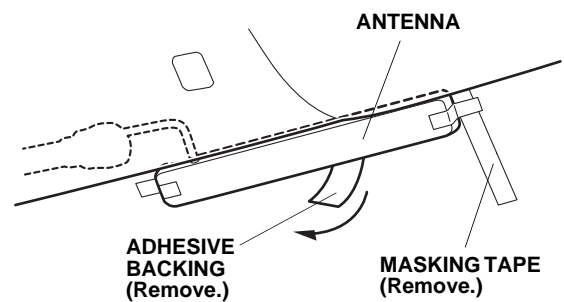
- Using isopropyl alcohol on a shop towel, clean the windshield where the antenna will attach.

- Attach the antenna with masking tape. Adjust the position of the antenna so there is equal spacing on both sides.



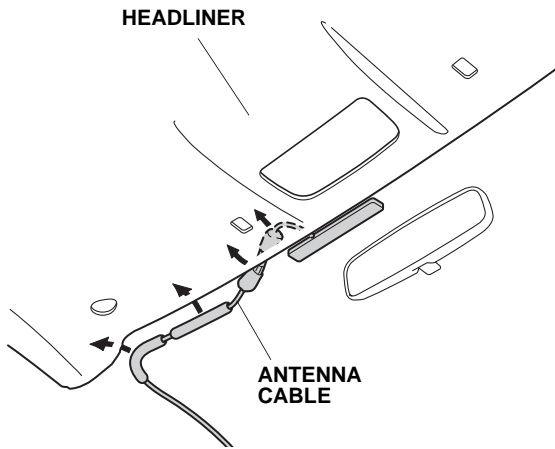
QB51404CH

- Carefully remove the adhesive backing from the antenna, and attach the antenna to the windshield. Press and hold the antenna firmly in place for 30 seconds.
- Remove the masking tape.



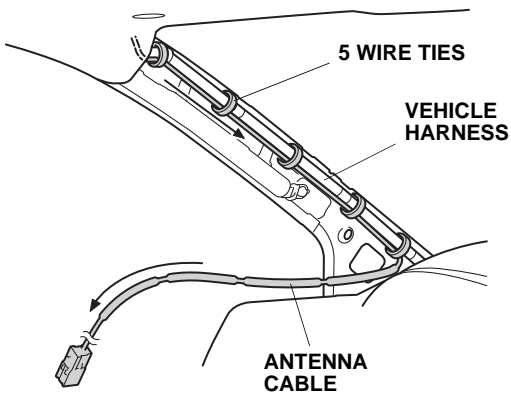
QB51405CH

- Gently pull down the headliner, and tuck the antenna cable under the headliner. Be careful not to crease the headliner.



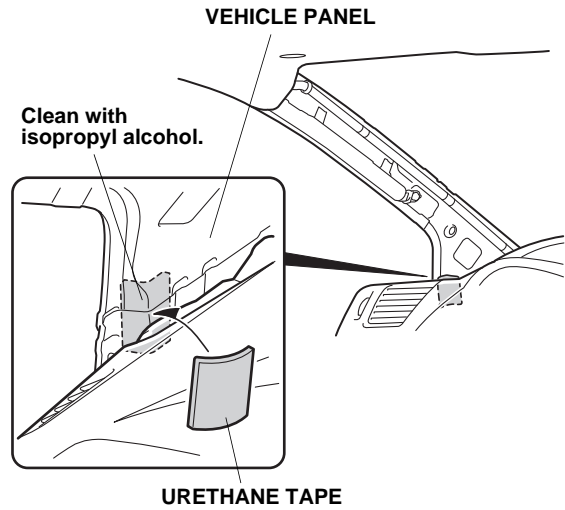
QB62502BK

- Route the antenna cable down the A-pillar as shown. Using five wire ties, secure the antenna cable to the vehicle harness.



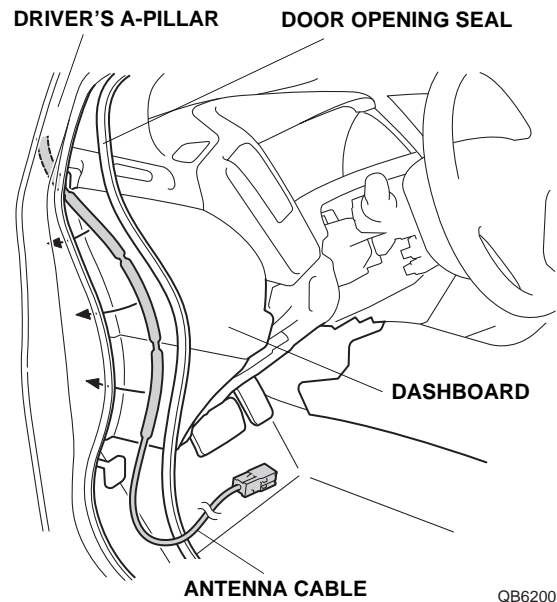
QB62002AK

- Using isopropyl alcohol on a shop towel, clean the area where the urethane tape will attach.



Q071304BK

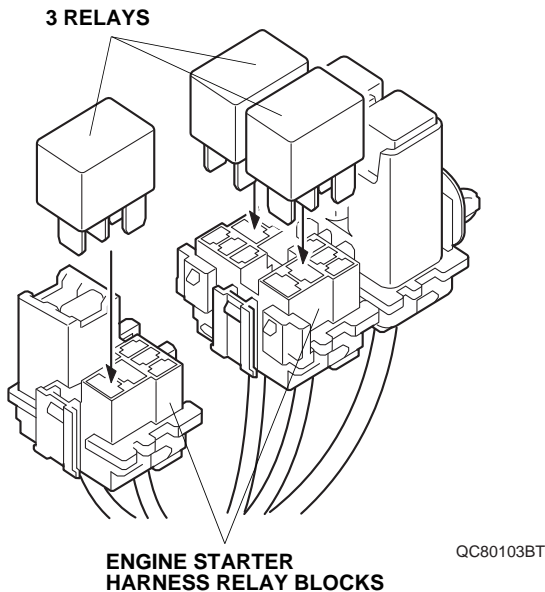
- Attach the urethane tape to the vehicle panel.
- Pull away the door opening seal. Route the antenna cable down next to the dashboard, and tuck the antenna cable between the driver's A-pillar and the dashboard. Reinstall the door opening seal.



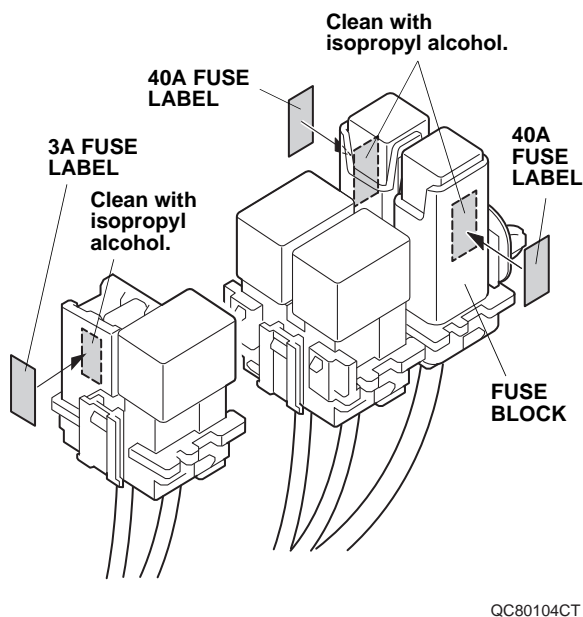
QB62003AK

## Routing the Engine Starter Harness

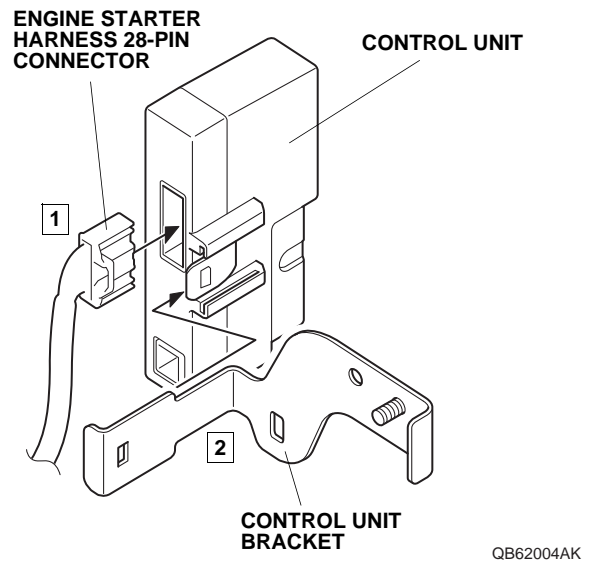
36. Install three relays to the engine starter harness relay blocks.



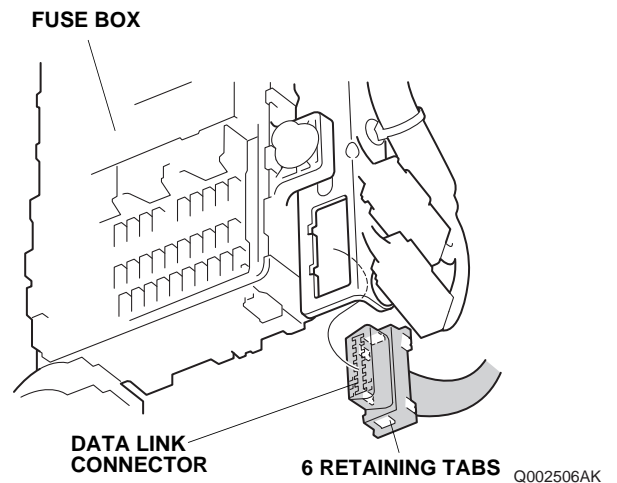
37. Using isopropyl alcohol on a shop towel, clean the areas where the fuse labels will attach.



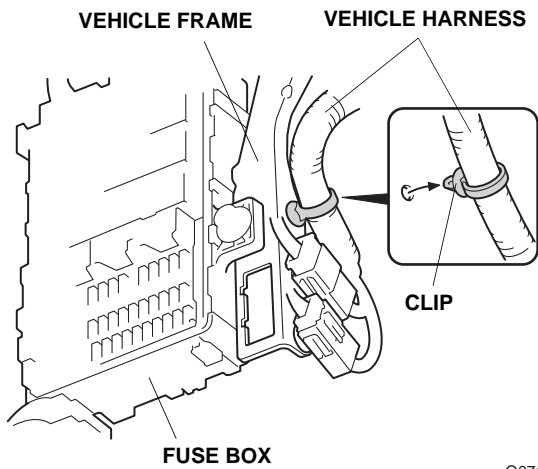
38. Attach two 40A fuse labels and one 3A fuse label to the engine starter harness fuse block.
39. Plug the engine starter harness 28-pin connector into the control unit.



40. Install the control unit bracket to the control unit.
41. Remove the data link connector (six retaining tabs).

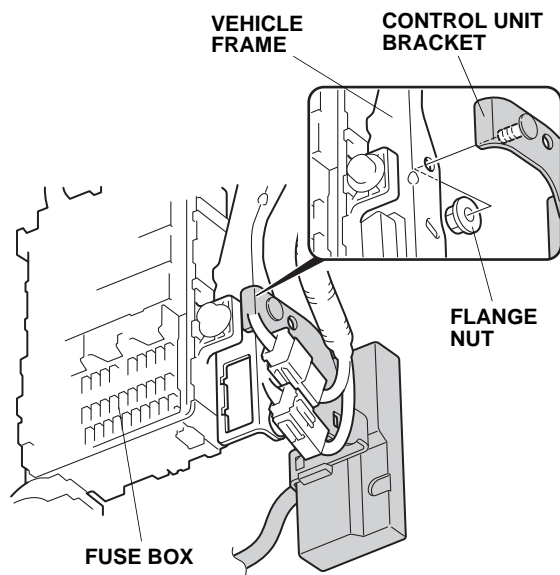


42. Remove the vehicle harness clip from the vehicle frame.



Q071601CK

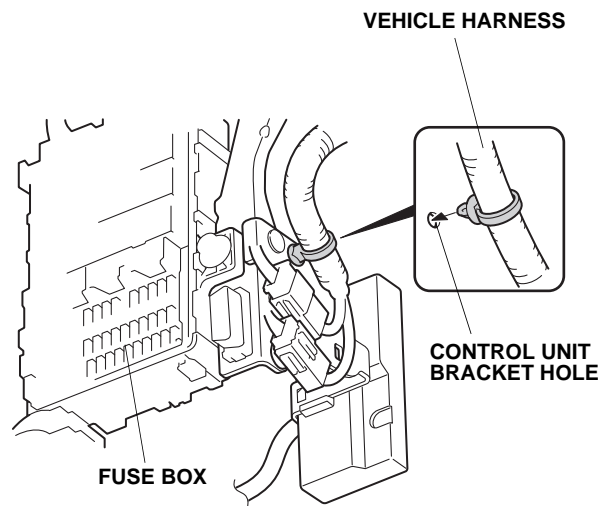
43. Using the flange nut, secure the control unit bracket to the vehicle frame.



QB62005AK

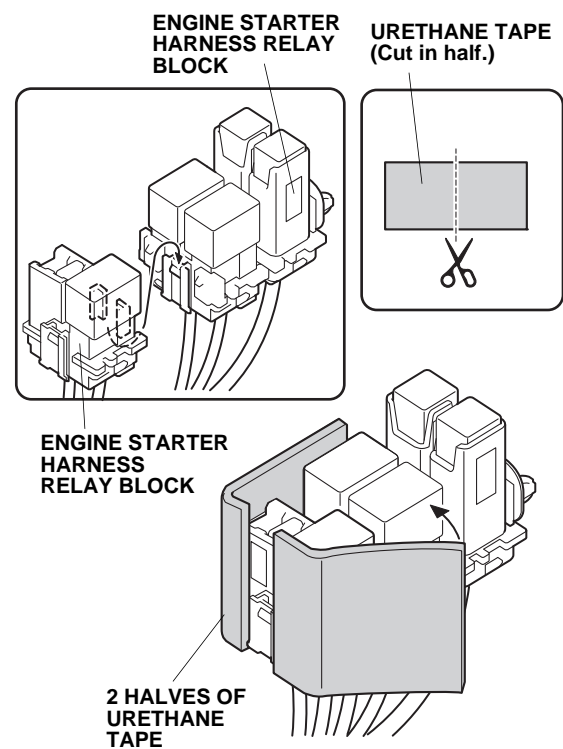
44. Reinstall the data link connector.

45. Secure the vehicle harness to the control unit bracket hole.



QB62006AK

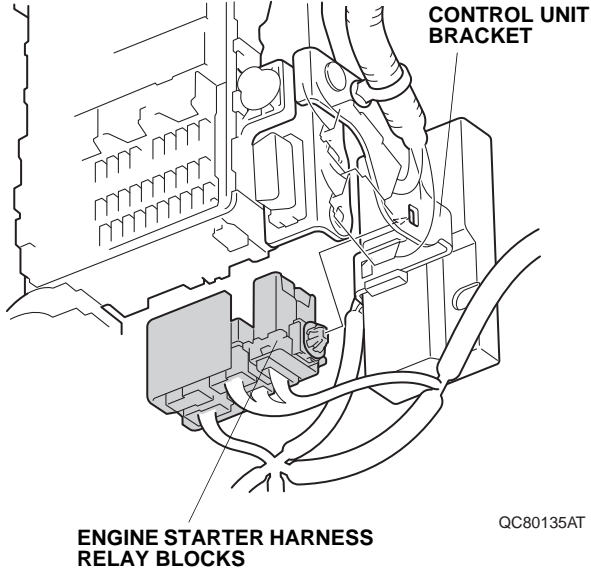
46. Attach the engine starter harness relay block to the engine starter harness relay block as shown.



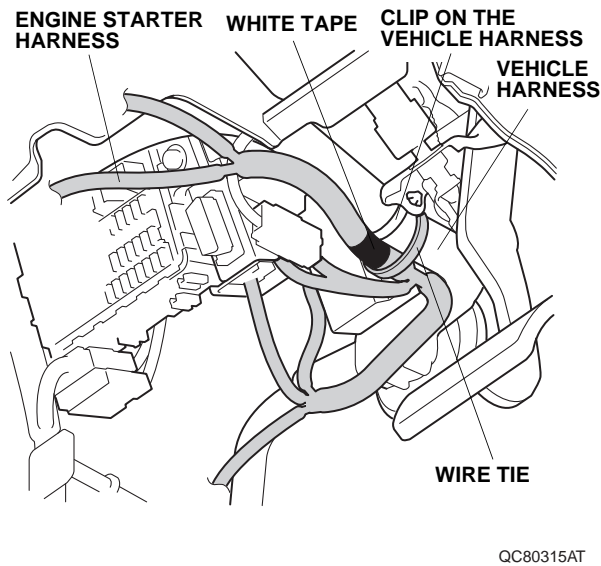
QC80105BT

47. Using scissors, cut one urethane tape in half. Attach two halves of urethane tape to the engine starter harness relay block.

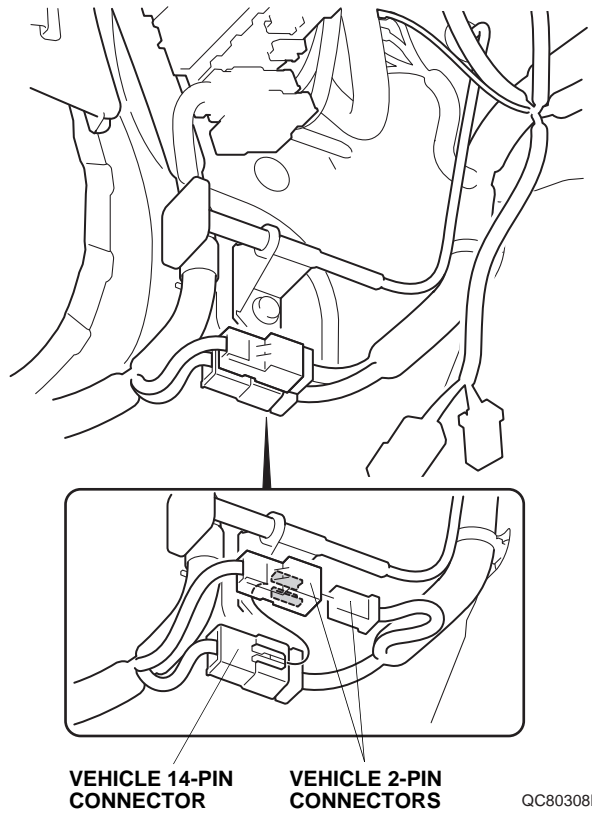
48. Attach the engine starter harness relay blocks to the control unit bracket.



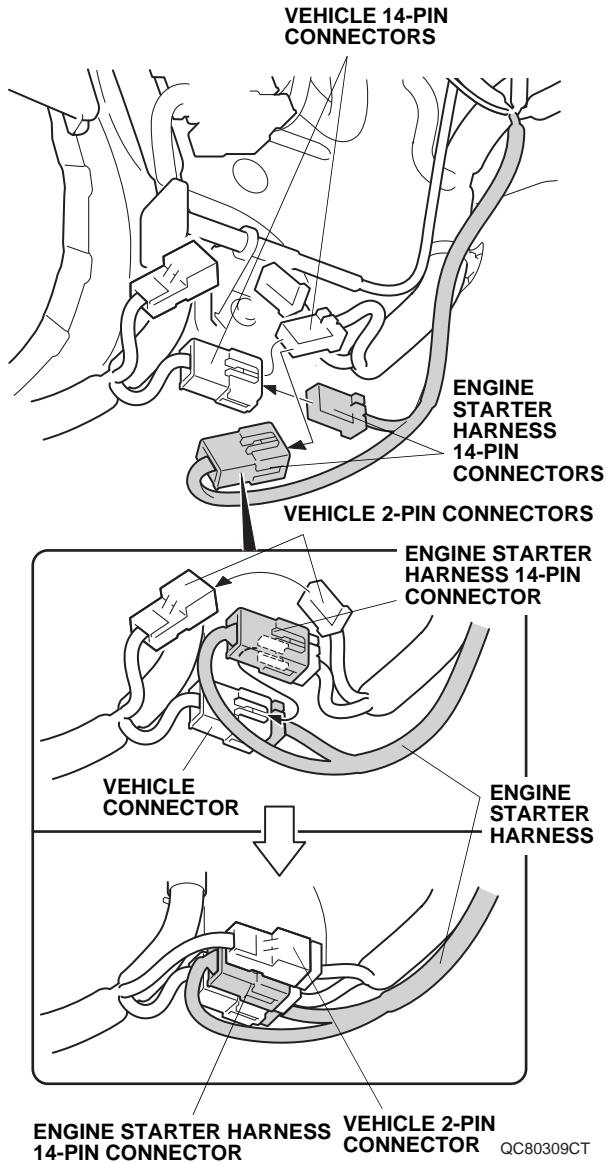
49. Align the white tape on the engine starter harness with the clip on the vehicle harness, and secure the engine starter harness to the vehicle harness using one wire tie.



50. Unplug the vehicle 2-pin connector. Remove the vehicle 2-pin connector from the vehicle 14-pin connector as shown.

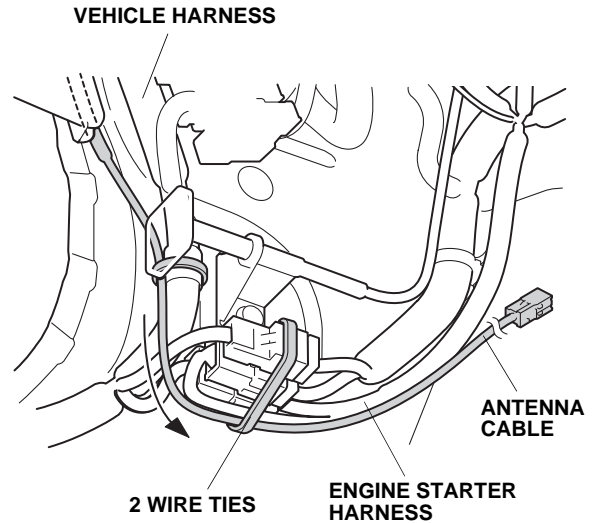


- Unplug the vehicle 14-pin connector, and plug it into the engine starter harness 14-pin connector. Plug the remaining engine starter harness 14-pin connector into the vehicle 14-pin connector.



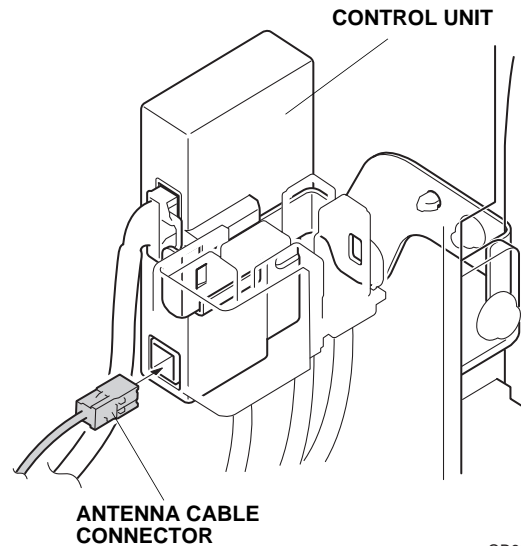
- Attach the engine starter harness 14-pin connector to the vehicle connector as shown.
- Plug the vehicle 2-pin connector into the vehicle 2-pin connector, and attach the vehicle 2-pin connector to the engine starter harness 14-pin connector as shown.

- Route the antenna cable as shown. Using two wire ties, secure the antenna cable to the vehicle harness and engine starter harness.



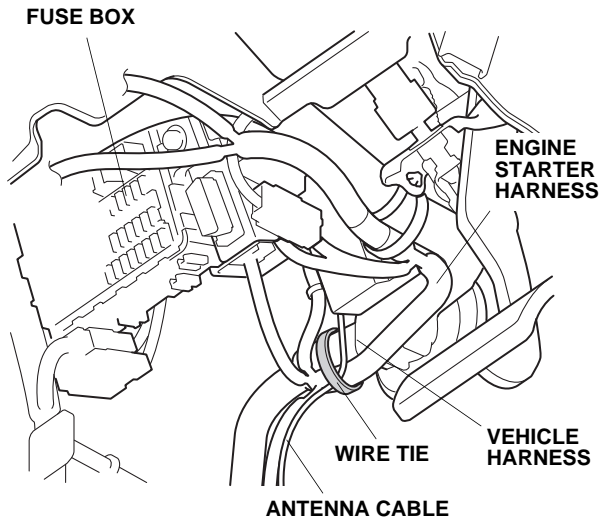
QC80310CT

- Plug the antenna cable connector into the control unit as shown.



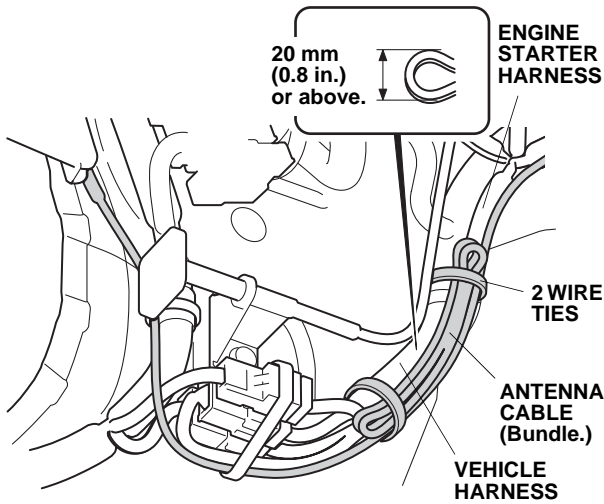
QB62009AK

56. Using one wire tie, secure the antenna cable and engine starter harness to the vehicle harness.



QC80311CT

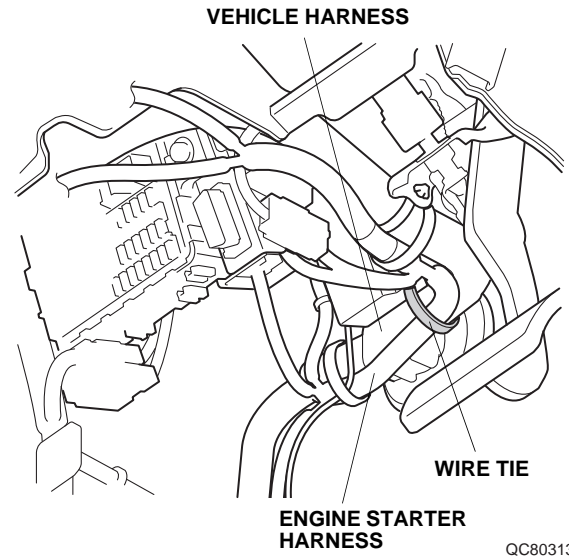
57. Bundle up the excess antenna cable as shown.



QC80312CT

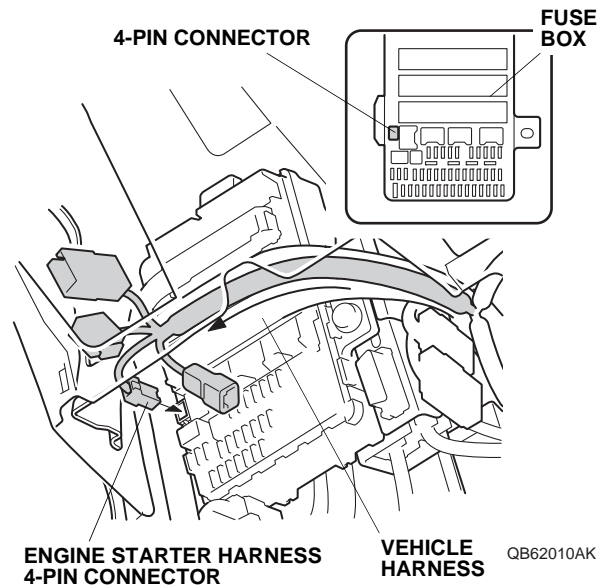
58. Using two wire ties, secure the antenna cable and engine starter harness to the vehicle harness.

59. Using one wire tie, secure the engine starter harness to the vehicle harness.



QC80313CT

60. Route the engine starter harness along the vehicle harness as shown.

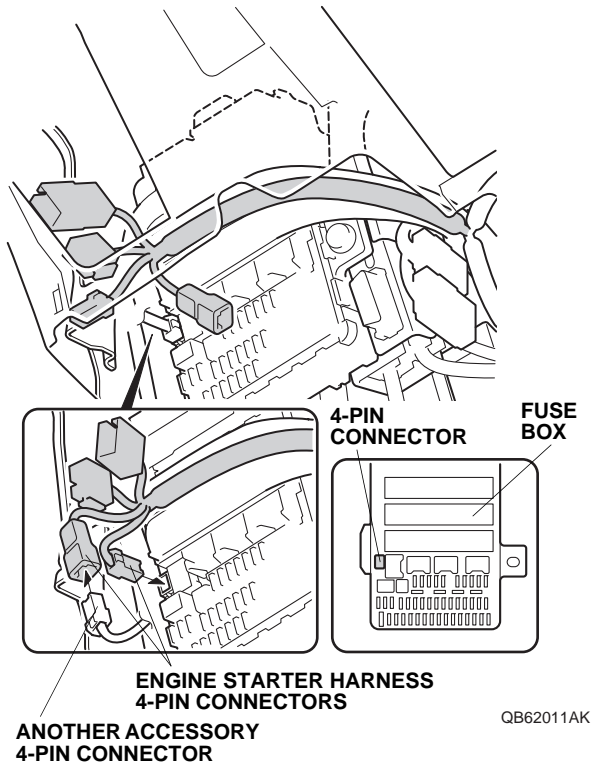


QB62010AK

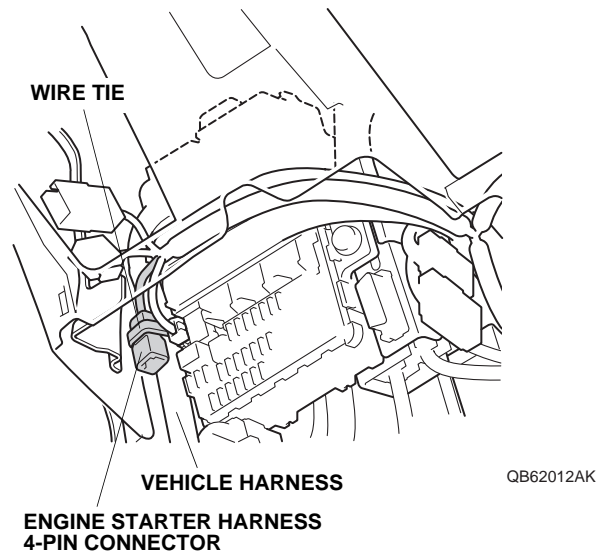


61. Plug the engine starter harness 4-pin connector into the fuse box.

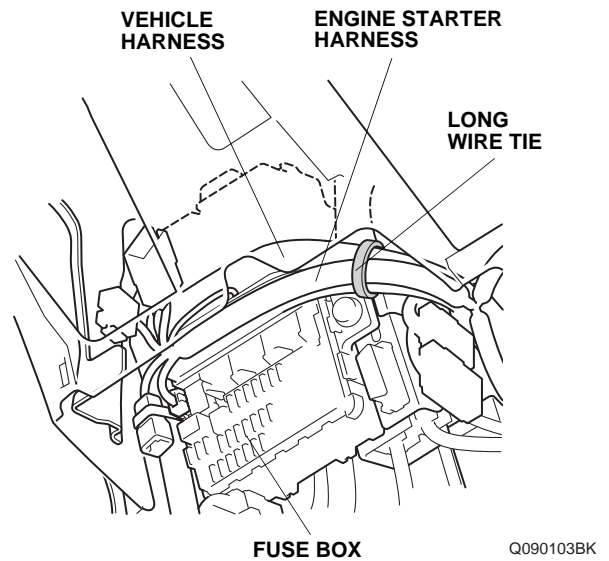
**NOTE:** If another accessory 4-pin connector is plugged into the fuse box, unplug the 4-pin connector from the fuse box, then plug the engine starter harness 4-pin connector into the fuse box. Plug another accessory 4-pin connector into the engine starter harness 4-pin connector.



62. Using one wire tie, secure the engine starter harness 4-pin connector to the vehicle harness.

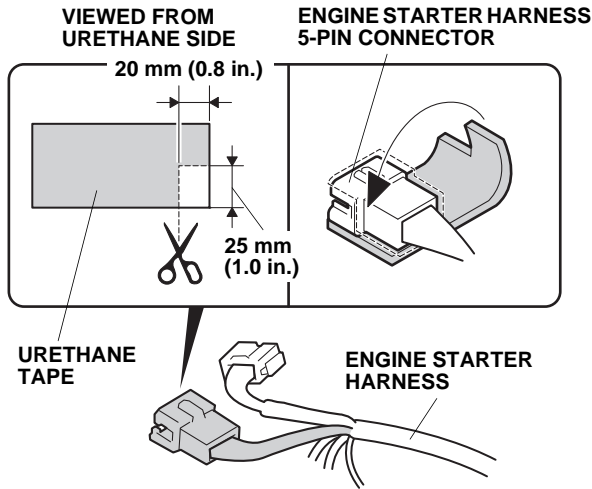


63. Using one long wire tie, secure the engine starter harness to the vehicle harness.





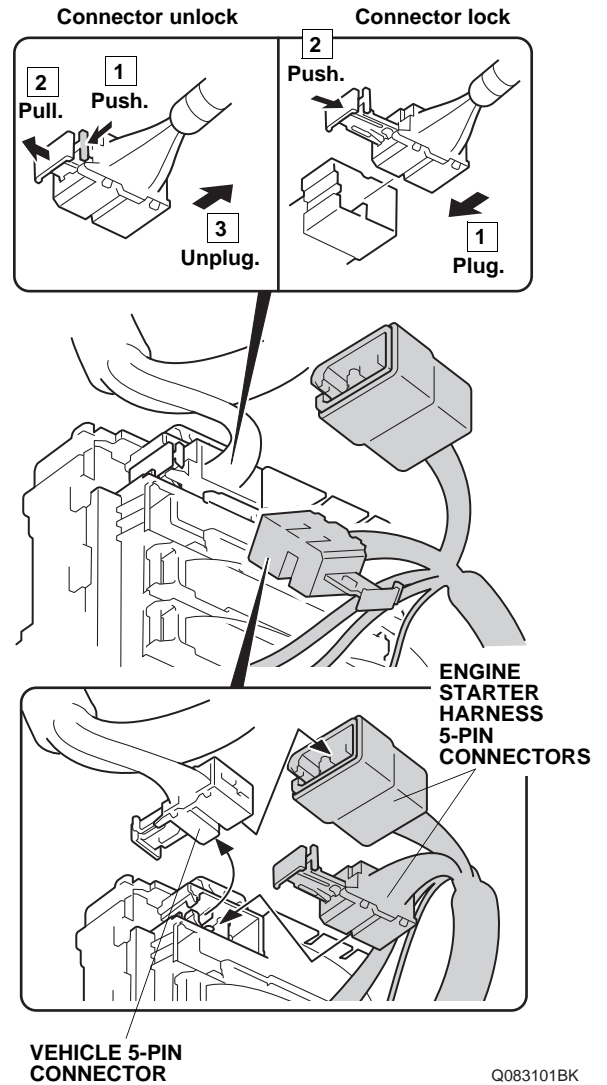
64. Using scissors, cut one urethane tape to the measurements shown. Wrap the cut urethane tape around the engine starter harness 5-pin connector as shown.



Q002507AK

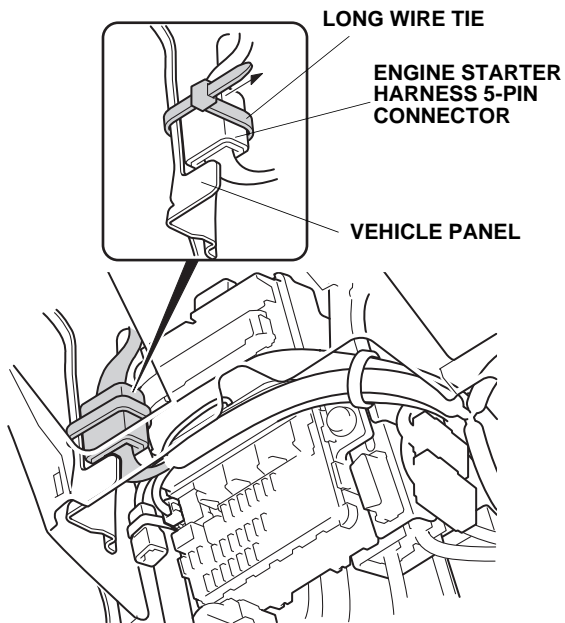
65. Unplug the vehicle 5-pin connector from the fuse box. Plug the engine starter harness 5-pin connector into the fuse box 5-pin connector. Plug the vehicle 5-pin connector into the engine starter harness 5-pin connector.

**NOTICE:** Make sure the engine starter harness 5-pin connector is securely connected to the fuse box 5-pin connector. A loose connection can cause the engine to stall.

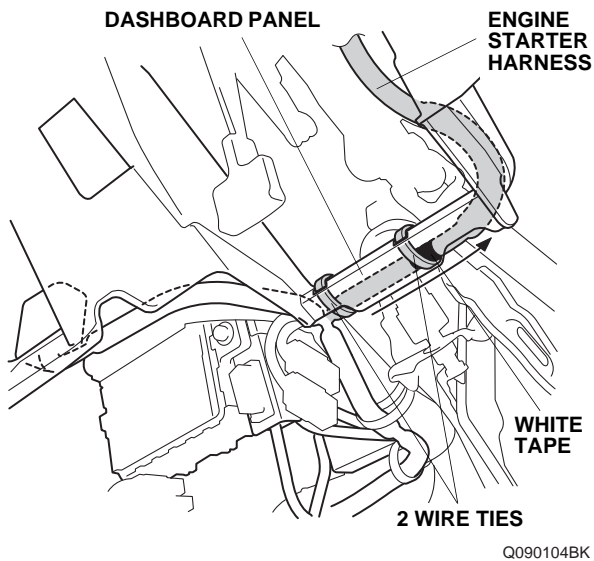


Q083101BK

66. Using one long wire tie, secure the engine starter harness 5-pin connector to the vehicle panel.

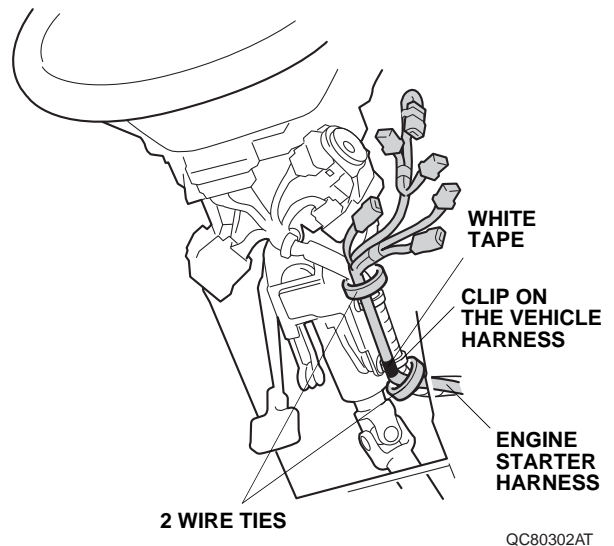


67. Route the engine starter harness as shown. Using one wire tie, secure the engine starter harness at the white tape to the hole in the dashboard panel.



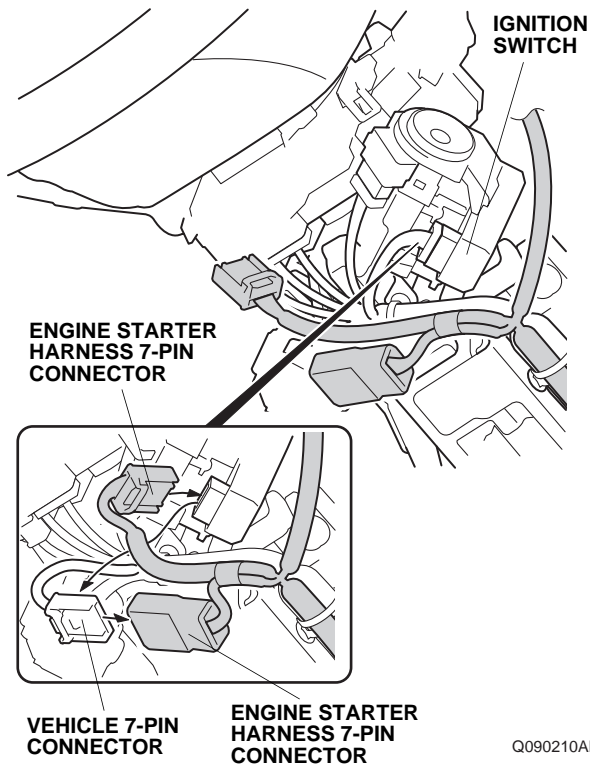
68. Using one wire tie, secure the engine starter harness to the hole in the dashboard panel.

69. Route the 12-pin/10-pin/7-pin connector ends of the engine starter harness to the ignition switch.

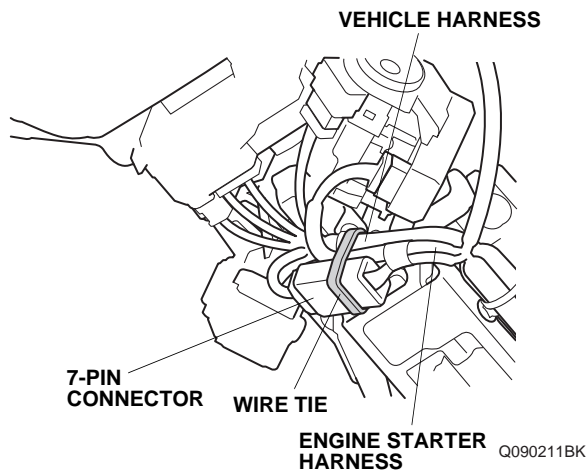


70. Align the white tape on the engine starter harness with the clip on the vehicle harness, and secure the engine starter harness to the vehicle harness using one wire tie.
71. Using one wire tie, secure the engine starter harness to the vehicle harness.

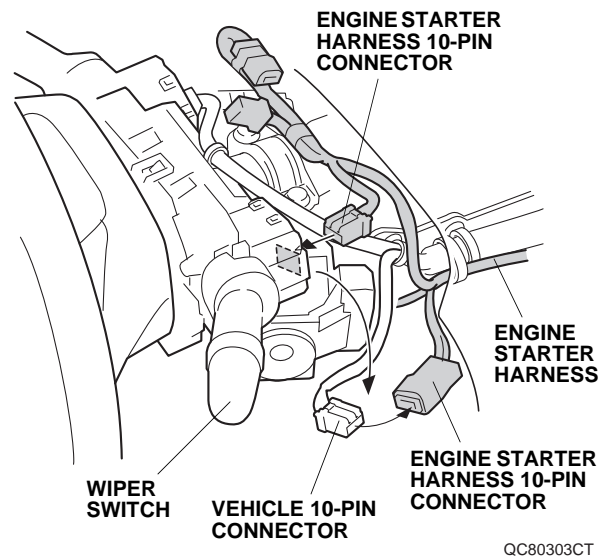
72. Unplug the vehicle 7-pin connector, and plug it into the engine starter harness 7-pin connector. Plug the remaining engine starter harness 7-pin connector into the ignition switch.



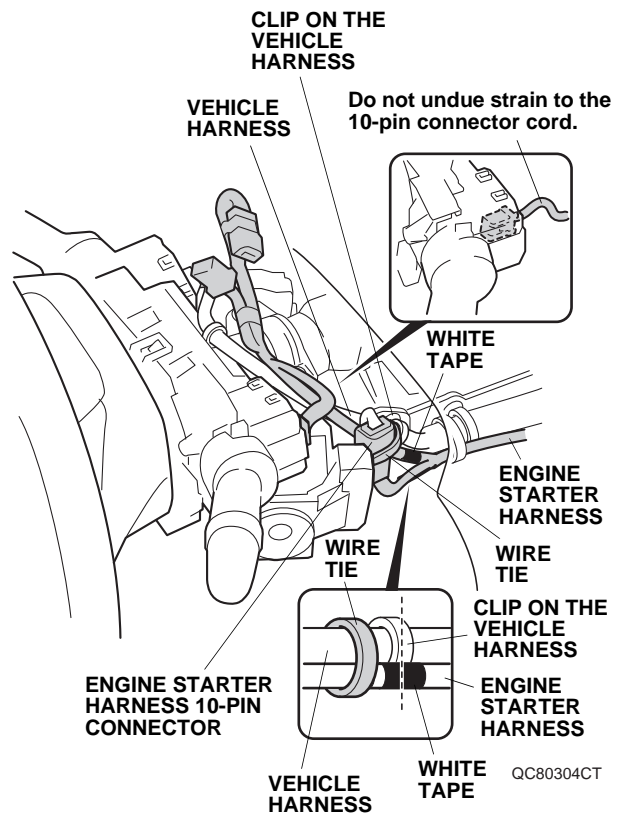
73. Using one wire tie, secure the 7-pin connector and engine starter harness to the vehicle harness.



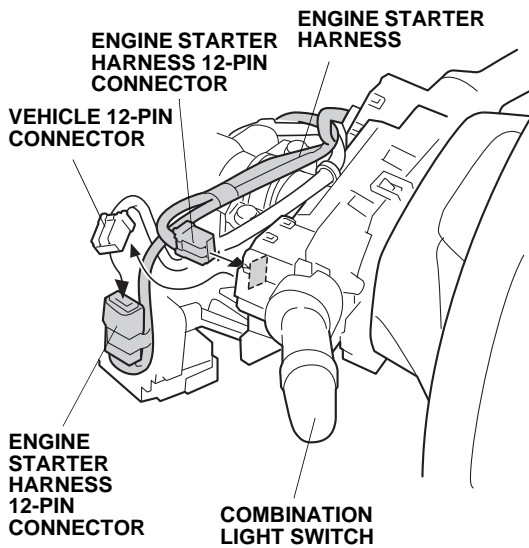
74. Route the engine starter harness as shown. Unplug the vehicle 10-pin connector, and plug it into the engine starter harness 10-pin connector. Plug the remaining engine starter harness 10-pin connector into the wiper switch.



75. Align the white tape on the engine starter harness with the clip on the vehicle harness, and secure the engine starter harness 10-pin connector to the vehicle harness with one wire tie.



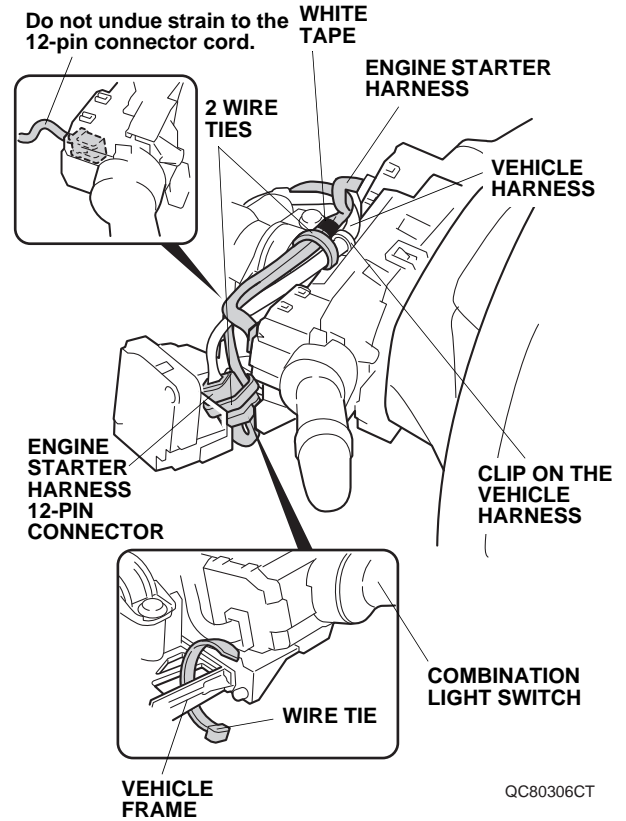
76. Route the engine starter harness as shown. Unplug the vehicle 12-pin connector, and plug it into the engine starter harness 12-pin connector. Plug the remaining engine starter harness 12-pin connector into the combination light switch.



QC80305AT

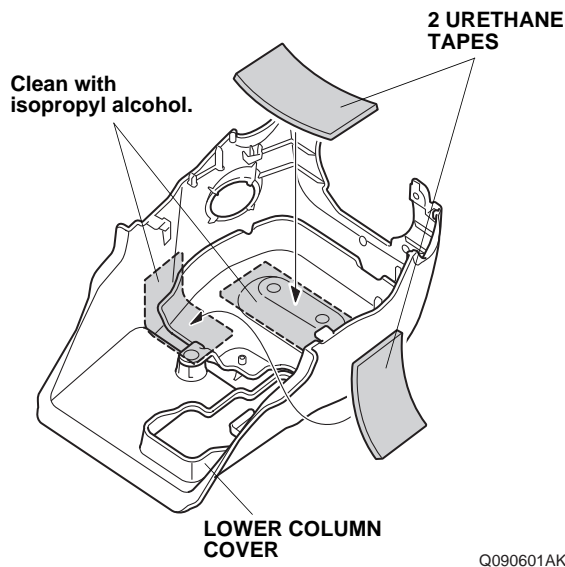
77. Align the white tape on the engine starter harness with the clip on the vehicle harness, and secure the engine starter harness to the vehicle harness with one wire tie. Secure the engine starter harness 12-pin connector to the vehicle frame with one wire tie. Do not secure it to the SRS harness.

NOTE: Make sure that the connectors and harness are not pinched, or are not interfering with the steering wheel when it is moved for adjustment.

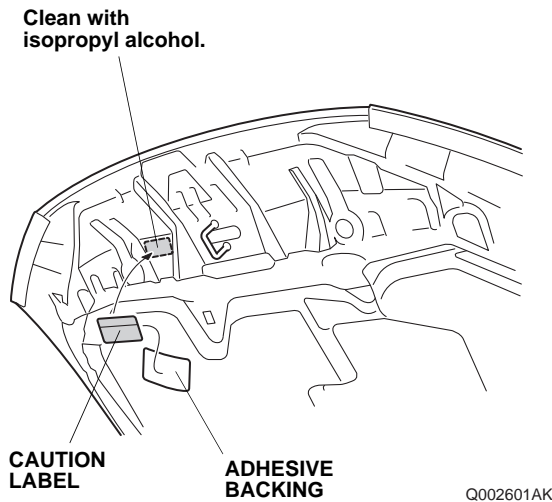


QC80306CT

78. Using isopropyl alcohol on a shop towel, clean the areas where the urethane tapes will attach.



79. Attach two urethane tapes to the lower column cover as shown.
80. Using isopropyl alcohol on a shop towel, clean the hood where the caution label will attach.

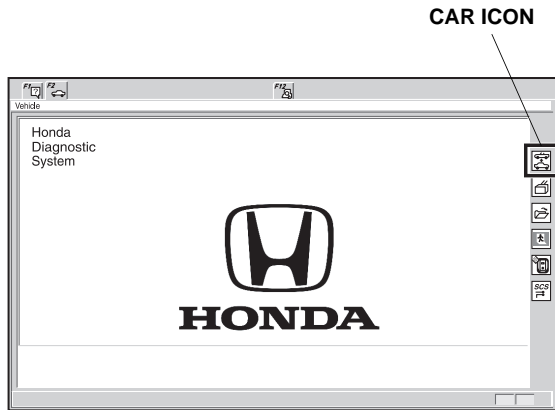


81. Attach the caution label to the hood in the area shown.
82. Check that all wire harnesses are routed properly and all connectors are plugged in.
83. Check the overlap between the headliner and the driver's A-pillar trim. Refer to the Service Manual. If necessary, adjust the overlap.
84. Reinstall all removed parts.
85. Reconnect the negative cable to the battery.
86. Press and hold the radio power button for two seconds to restore the radio and navi (if equipped) system functions.
87. Reset the clock.
88. Restore the systems back to normal operation as described in the Service Manual if necessary.
89. Perform the "REMOTE ENGINE STARTER REGISTRATION" and the "FUNCTION CHECK".

## REMOTE ENGINE STARTER REGISTRATION

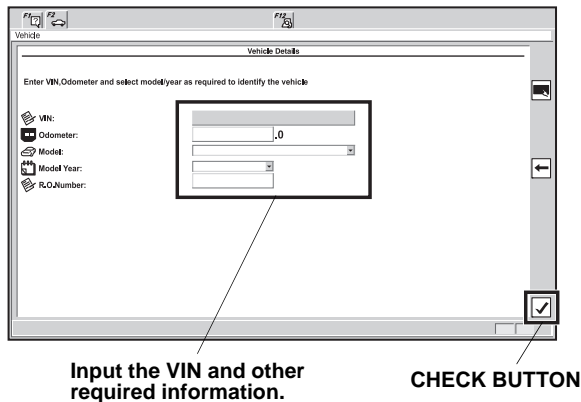
NOTE: Register after making sure the HDS has been upgraded to the latest version as described in the Service News.

1. Acquire the PCM Code from the Interactive Network.



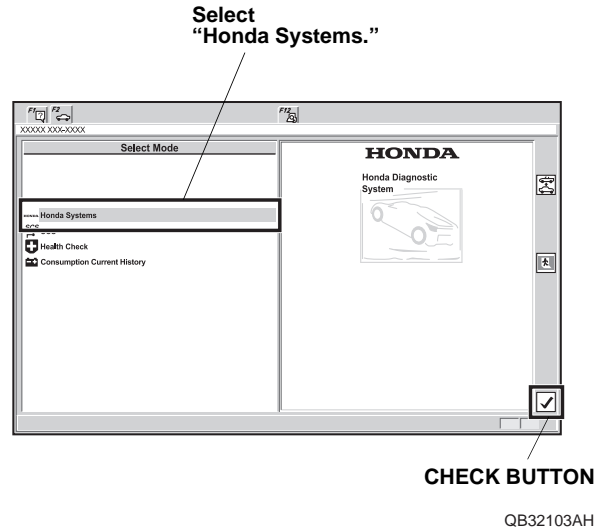
QC31909AC

2. Connect the HDS/MVCI tester to the OBD II data link connector, then press the engine switch to ON.
3. Start the HDS, and click the car icon.
4. Input the VIN and other required information into the HDS, then click the check button.



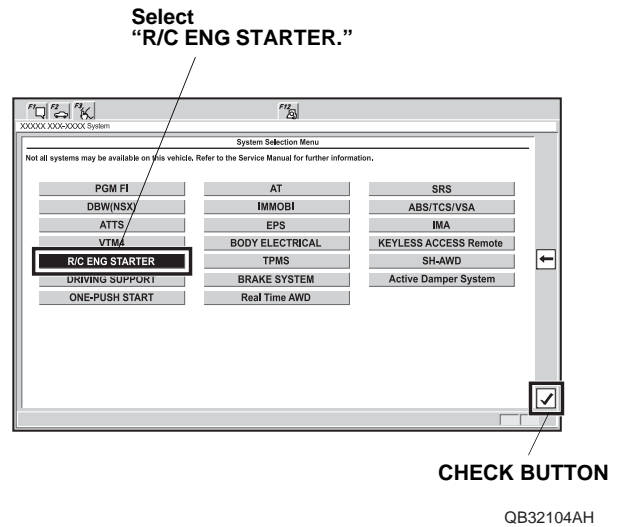
QB32102BH

5. Select **Honda Systems**, then click the check button.



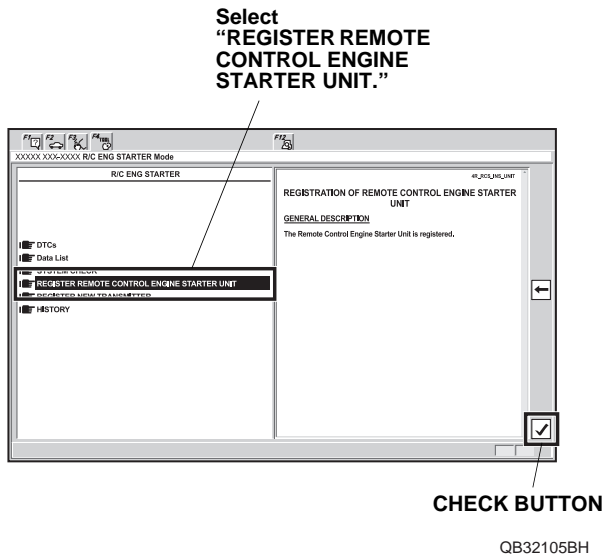
QB32103AH

6. Select **R/C ENG STARTER** and click the check button.

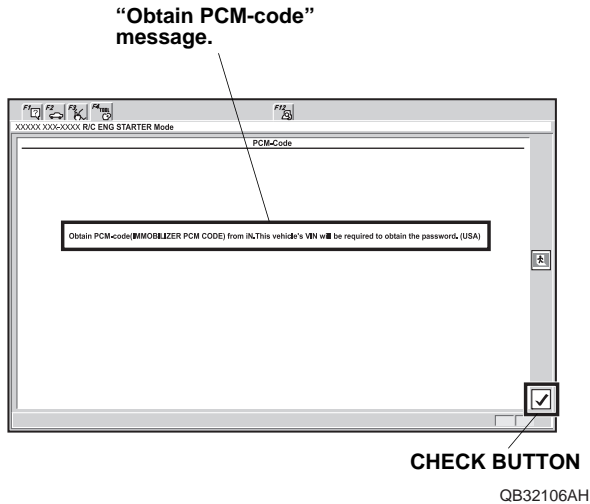


QB32104AH

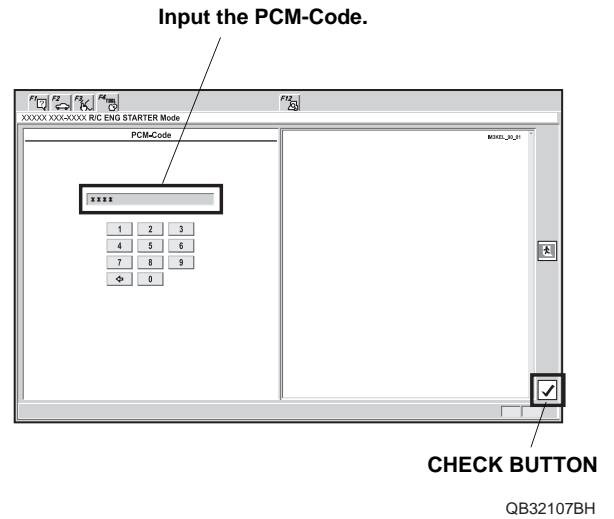
7. Select **REGISTER REMOTE CONTROL ENGINE STARTER UNIT**, then click the check button.



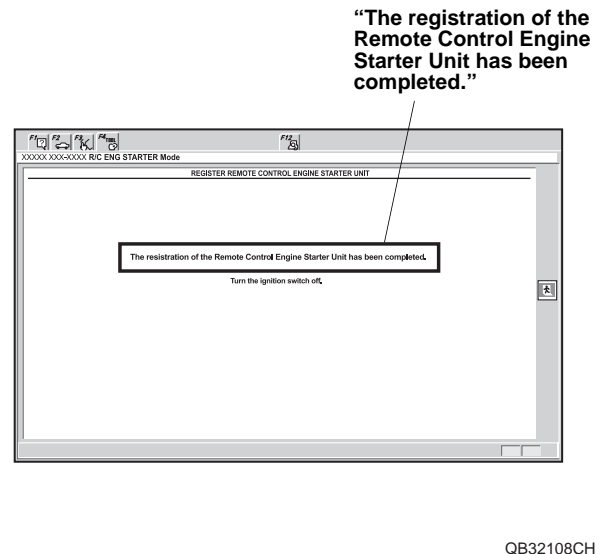
8. The following message will display: **Obtain PCM-code (IMMOBILIZER PCM CODE) from iN. This vehicle's VIN will be required to obtain the password. (USA)** Click the check button.



9. Input the PCM-code, then click the check button. **NOTE:** To ensure security, the PCM-code (password) is changed everyday, so it is impossible to register the remote control engine starter if the dates of the PCM-code acquisition and registration are different. The date of the HDS/MVCI tester should also be the same.

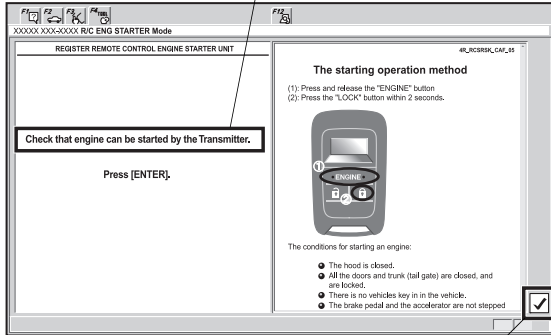


10. The following message will display: **The registration of the Remote Control Engine Starter Unit has been completed.** Press the engine switch to OFF.



11. The following message will display: **Check that engine can be started by the Transmitter.** Click the check button.

**“Check that engine can be started by the Transmitter.”**



**CHECK BUTTON** QB32109CH

12. Perform the FUNCTION CHECK on page 25, then disconnect the HDS/MVCI.



## FUNCTION CHECK

### Operating Conditions

- The hood is closed
- The shift lever is in park
- Press the engine switch to OFF and the key is outside the vehicle
- All doors and trunk lid closed and locked

### Inspection

1. Press the engine/command button on the transmitter and release, within 2 seconds, press the lock/start button on the transmitter.

The engine should start if all operating conditions are met.

Does the engine start?

Yes - Operation is normal.

No:

- Make sure all "Operating Conditions" are met.
- Check the engine starter harness connections.
- Connect the HDS/MVCI and check for an indicated failure.  
(Refer to the appropriate Service Manual for details.)

2. Press the engine/command button on the transmitter and release, within 2 seconds, press the unlock/stop button. The engine should stop.

Does the engine stop?

Yes - Operation is normal.

No - Check the engine starter harness connections.

3. After the engine has stopped, start the engine again, and check that the engine stops after each of the following conditions:

NOTE: After each test the ignition key must be cycled, or the driver's door must be opened and closed.

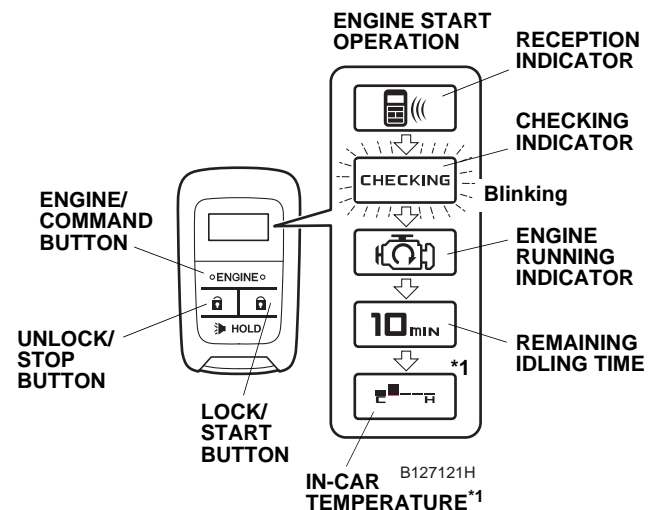
- Move the shift lever out of the P position.
- Unlock or open the doors or the trunk lid.
- Open the hood.
- Insert the key in the engine switch.
- Press on the brake pedal.

Does the engine stop after each of these tests?

Yes - Operation is normal.

No - Check the engine starter harness connections.

4. Check that the power windows do not function, and the shift lever does not move to any position when the engine is started with the transmitter.
5. Start the engine again, press the engine/command button on the transmitter two times, and check the vehicle condition on the display.
6. Check the operation of the transmitter when the vehicle is 120 m (400 ft.) away and in direct sight.
7. Press the unlock/stop button on the transmitter and verify that the doors unlock. Press the lock/start button, and verify that the doors lock.
8. Check that the engine can start by the vehicle key and that the wiper and the headlight can be operated normally.



\*1 Only on vehicles equipped with the automatic climate control. This indicator is displayed for some vehicles among them.